



GENERAL SANITARY SEWER NOTES

1. THE CONTRACTOR SHALL NOTIFY MUNICIPAL SEWER DEPARTMENT, (586)791-1766, THE DETROIT WATER & SEWERAGE DEPT., (313)267-8000 AND THE MACOMB COUNTY OFFICE OF PUBLIC WORKS, (586)469-5325 THREE WORKING DAYS PRIOR TO CONSTRUCTION.
2. THE CONTRACTOR SHALL ATTEND A PRECONSTRUCTION MEETING, AT A TIME AND PLACE AS ARRANGED BY THE TOWNSHIP, IN WHICH VARIOUS UTILITY COMPANIES AND GOVERNMENTAL AGENCY REPRESENTATIVES WILL BE PRESENT.
3. PRIOR TO CONSTRUCTION OF ANY SANITARY SEWERS WHICH ARE TO BE CONNECTED TO THE TOWNSHIP SEWER SYSTEM, THE CONTRACTOR MUST HAVE IN HIS POSSESSION A COPY OF A PERMIT TO CONSTRUCT A CONNECTION TO, OR AN EXTENSION OF THE WASTEWATER DISPOSAL SYSTEM OF THE TOWNSHIP.
4. PRIOR TO ANY CONSTRUCTION THE CONTRACTOR SHALL TELEPHONE MISS DIG (800-482-7171) OR 811 FOR THE LOCATION OF UNDERGROUND FACILITIES, AND SHALL ALSO NOTIFY REPRESENTATIVES OF ANY OTHER FACILITIES, LOCATED IN THE VICINITY OF THE WORK, WHICH MAY NOT BE HANDLED BY MISS DIG.
5. ALL SANITARY SEWER CONSTRUCTION SHALL CONFORM TO THE CURRENT STANDARDS AND SPECIFICATIONS OF THE TOWNSHIP.
6. ALL MANHOLES SHALL BE PRECAST CONCRETE, AND SHALL CONFORM TO ASTM SPEC. C-478.
7. ALL REINFORCED CONCRETE SEWER PIPE SHALL CONFORM TO THE ASTM SPECIFICATIONS C-76 WITH CLASS DESIGNATION ON PLANS. CLASS II OR LOWER SHOULD NOT BE ALLOWED.
8. ALL ABS TRUSS PIPE WITH CHEMICALLY WELDED JOINTS SHALL BE ASTM D2680 A.B.S.
9. ALL PVC TRUSS PIPE MAIN JOINTS SHALL BE MODIFIED GROOVED TONGUE WITH RUBBER GASKET.
10. ALL SANITARY SEWER BEDDING SHALL BE STANDARD BEDDING UNLESS OTHERWISE SHOWN ON THE PLANS (SEE DETAIL THIS SHEET).
11. ALL WYES, RISERS, AND BUILDING SERVICE CONNECTIONS SHALL BE CHEMICALLY WELDED.
12. NO GROUND WATER, STORM WATER, CONSTRUCTION WATER, DOWNSPOUT DRAINAGE, WEEP TILE DRAINAGE, AND ANY DRAINAGE SHALL BE ALLOWED TO ENTER ANY SANITARY SEWER INSTALLATION.
13. NO SEWER INSTALLATION OR PORTION THEREOF SHALL HAVE AN INFILTRATION-EXFILTRATION EXCEEDING 100 GALLONS PER INCH DIAMETER PER MILE OF PIPE PER TWENTY FOUR (24) HOUR PERIOD.
14. AS PART OF THE FINAL INSPECTION, THE CONTRACTOR SHALL PROVIDE TELEVISION INSPECTION AND AIR TEST OF THE SANITARY SEWER LINES IN ACCORDANCE WITH THE CURRENT DETAILED SPECIFICATIONS OF THE TOWNSHIP.
15. WHEREVER EXISTING MANHOLES OR SEWER PIPE ARE TO BE TAPPED, USE KOR-N-TEE BOOT.
16. NORMAL INSPECTION WILL BE DONE BY THE MUNICIPAL SEWER DEPARTMENT AT THE OWNER'S EXPENSE. HOWEVER, OVERTIME (OVER 8 HOURS A DAY) OR SATURDAY INSPECTION COST (COMPUTED AT 2.25 TIMES THE INSPECTOR'S PAYROLL), OR HOLIDAY & SUNDAY INSPECTION COST (COMPUTED AT 3 TIMES THE INSPECTOR'S PAYROLL) INCURRED BY REASON OF OVERTIME WORK SHALL BE PAID BY THE CONTRACTOR.
17. A STANDARD MONITORING MANHOLE (FOR INSPECTION PURPOSES) SHALL BE INSTALLED ON ALL LEADS TO INDUSTRIAL BUILDINGS.
18. MANHOLE WRAP TO BE "WRAPID SEAL" OR APPROVED EQUIVALENT MANHOLE ENCAPSULATION SYSTEM.
19. ALL DROPS MUST BE NO GREATER THAN SIZE OF SEWER, NO LESS THAN SIZE LOWER.
20. ALL DROP CONNECTIONS NEED TO BE WITHIN 18" OF BENCH.
21. ALL DROPS NEED TO BE ANCHORED TO WALL.
22. NO EXTERIOR DROPS.
17. SANITARY SEWER PIPES, LEADS AND STRUCTURES MUST BE "MADE IN USA".

T-20 R-13-E



DATE:	ISSUE:

Developed For:
CHARTER TOWNSHIP OF CLINTON
 40700 ROMEO PLANK ROAD
 CLINTON TOWNSHIP, MI 48038

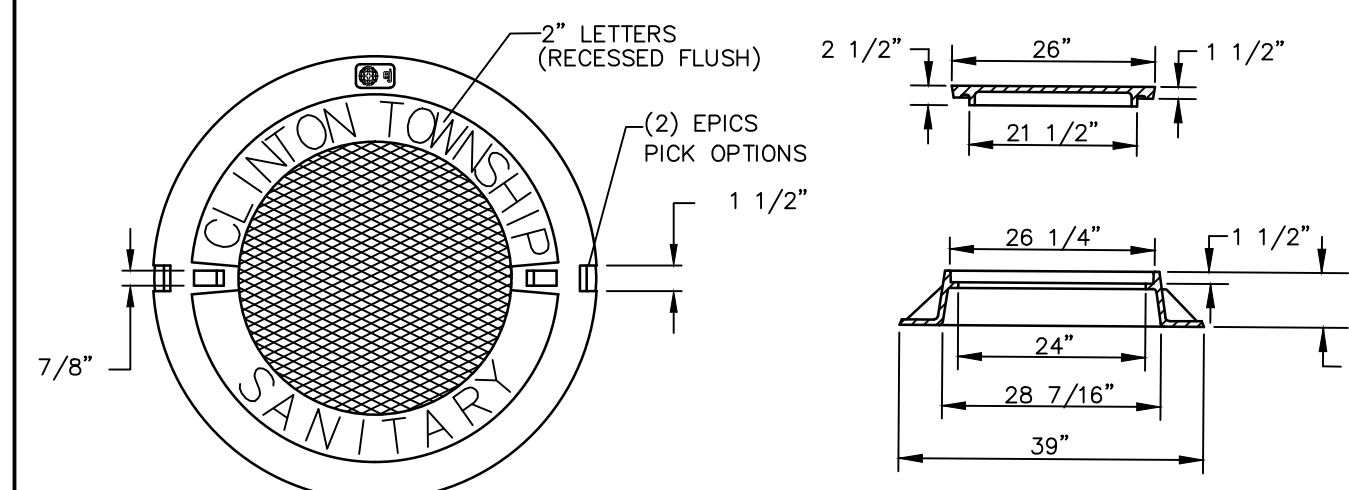
(586) 286-8000

CHARTER TOWNSHIP OF CLINTON

SANITARY SEWER STANDARD DETAILS

CHARTER TOWNSHIP OF CLINTON
 MACOMB COUNTY
 MICHIGAN

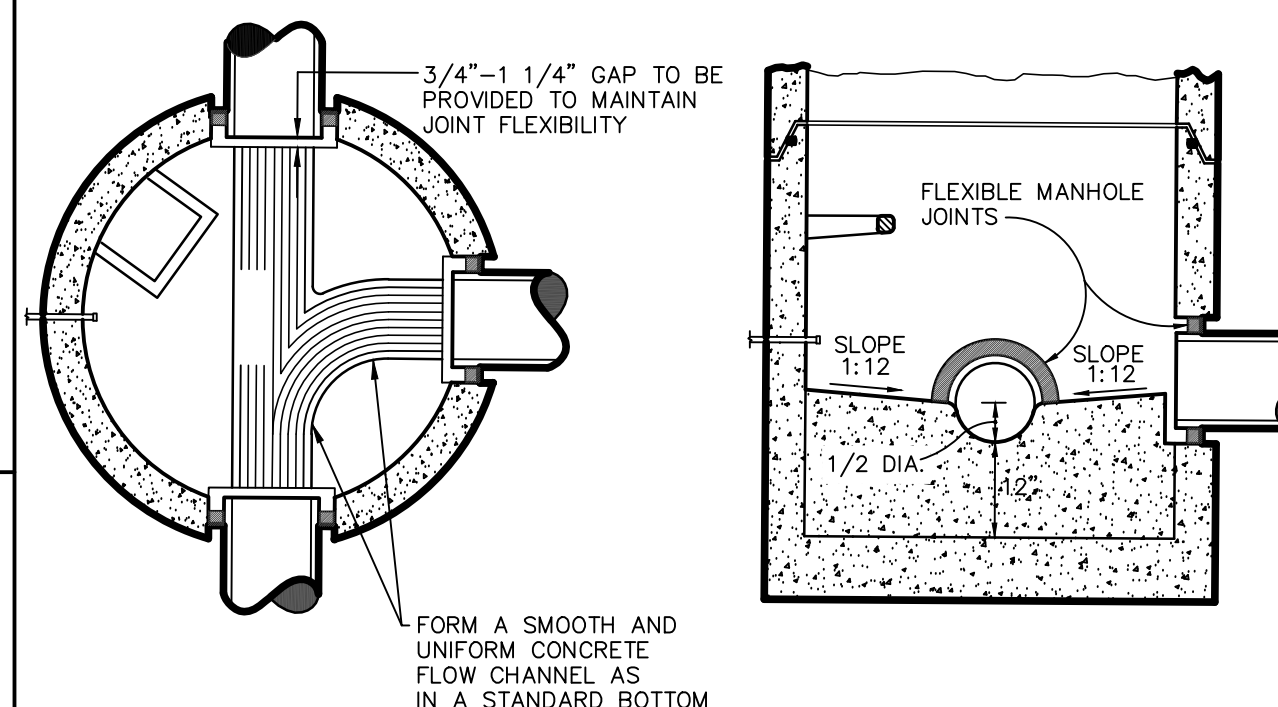
Date: 07.24.2015
 Scale: N.T.S.
 Sheet: S-1
 Project:



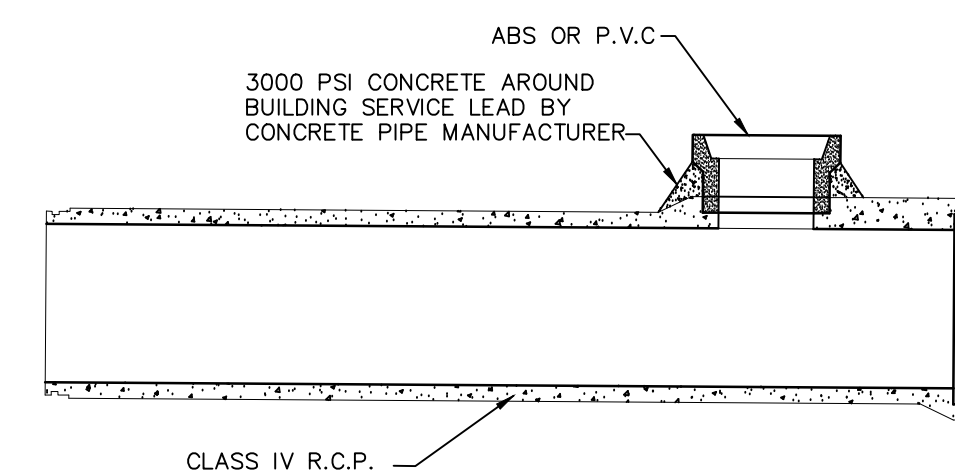
1. EJ 1040 7" TALL FRAME AND 1040 AGS COVER WITH "CLINTON TOWNSHIP SANITARY" LOGO.
2. MANHOLE SHALL BE CONSTRUCTED WITH EXTERIOR SEAL ON CHIMNEY & FRAME.
3. RUBBER "O" RING 23/32" DIA. I.D. IS 36".
4. GRADE RING, PROVIDE 6" MIN.-18" MAX. ADJUSTMENT.
5. LIDS SHALL BE LABELED "CLINTON TOWNSHIP SANITARY".

WATERPROOF MANHOLE FRAME & COVER
 NOT TO SCALE

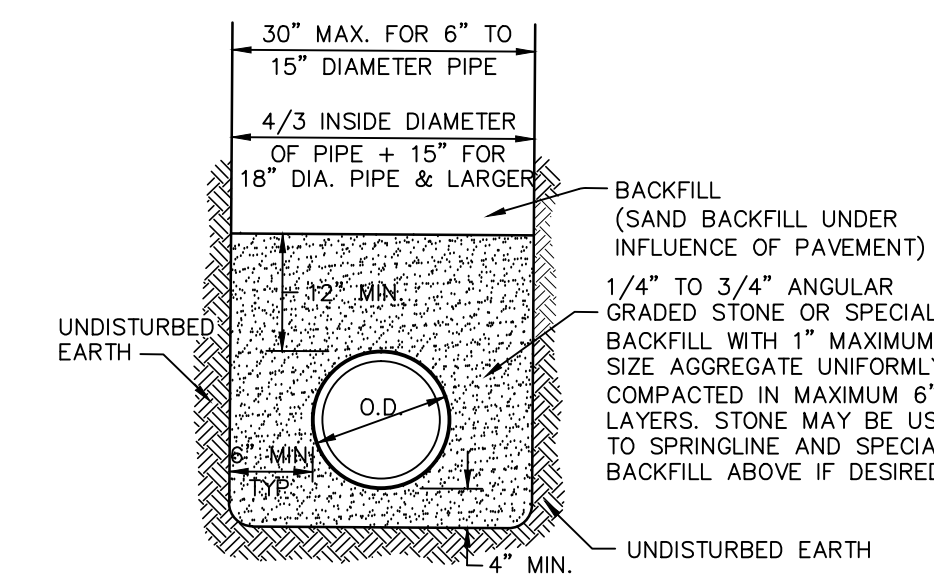
- NOTES:
1. REFER TO SANITARY MANHOLE DETAIL THIS SHEET FOR OTHER MANHOLE DETAILS.



PROFILE PROFILE
 MANHOLE SUMP
 NOT TO SCALE

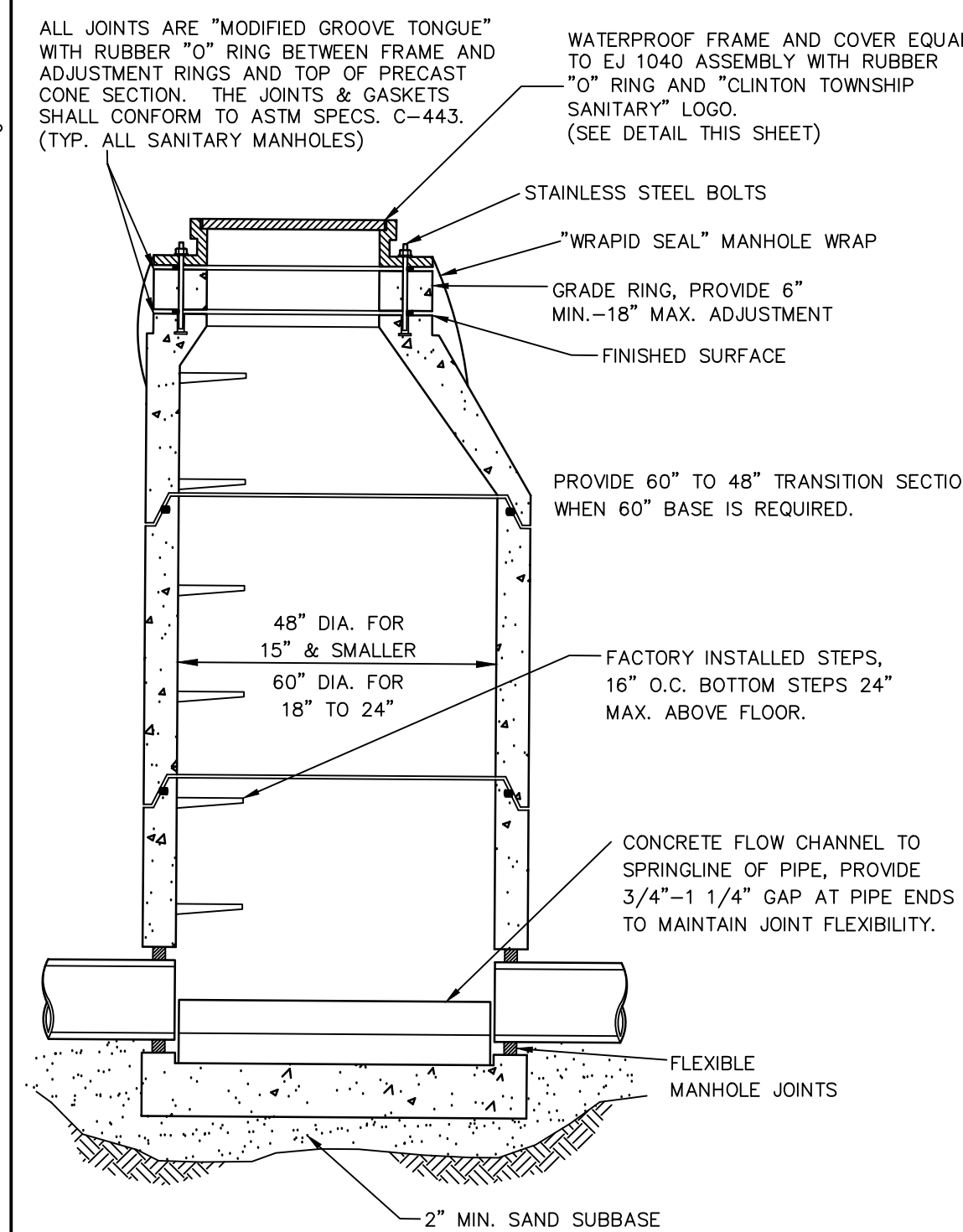


STANDARD WYE DETAIL FOR CONCRETE PIPE
 NOT TO SCALE

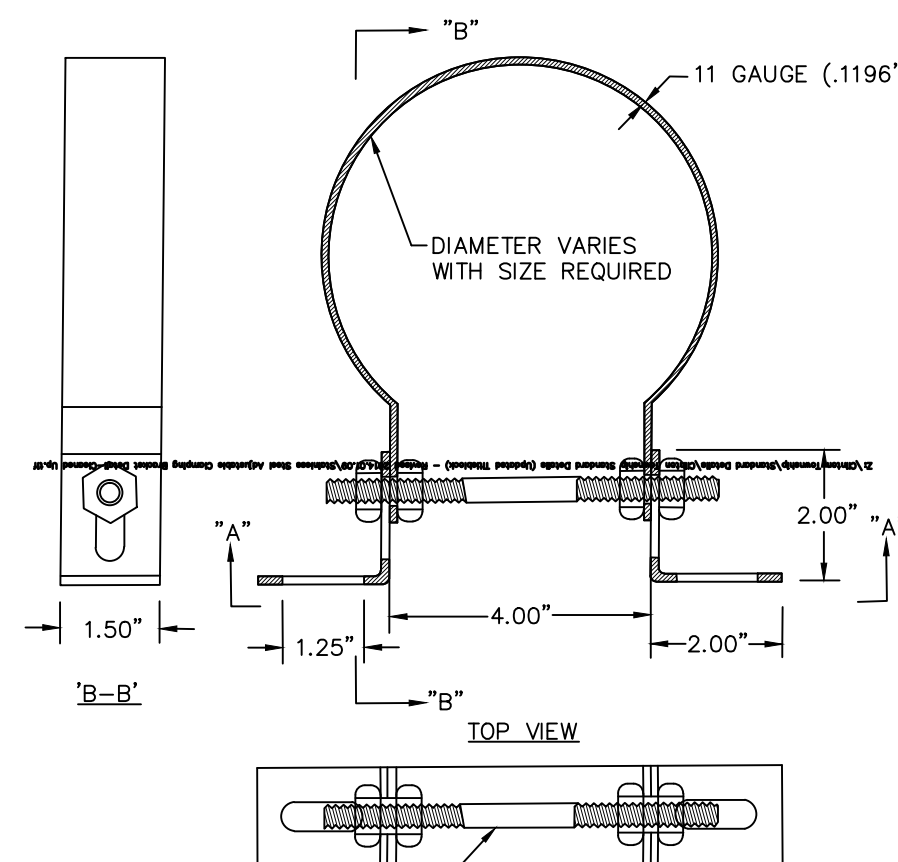


- NOTES:
1. IF UNDER INFLUENCE OF PAVEMENT, COMPACT TO 95% IN 9 INCH LAYERS.
 2. IF UNDER GREENBELT, COMPACT TO 90% IN 9 INCH LAYERS.

BEDDING DETAILS
 NOT TO SCALE

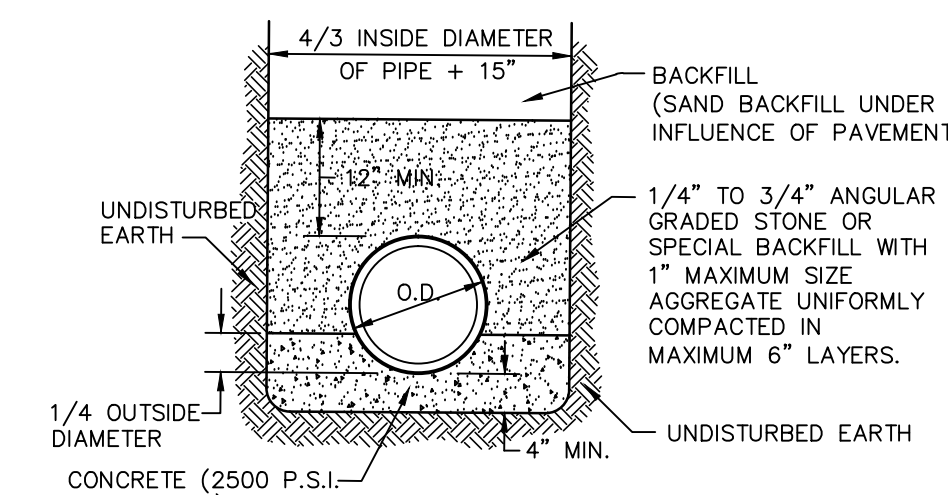


SANITARY MANHOLE
 (FOR 24" AND SMALLER PIPE)
 NOT TO SCALE



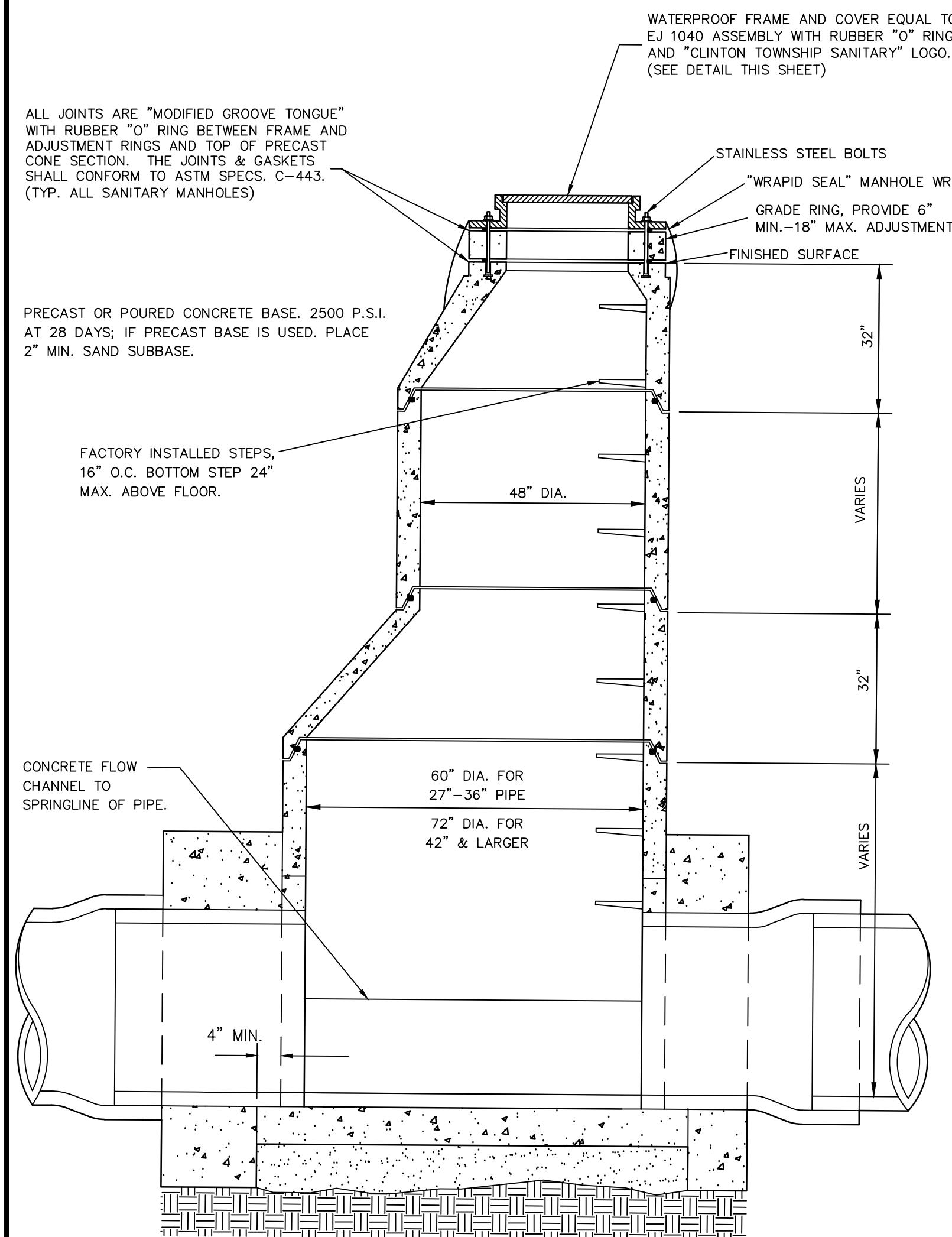
STAINLESS STEEL ADJUSTABLE CLAMPING BRACKET DETAIL
 NOT TO SCALE

- SPECIFICATIONS:
1. CLAMP AND BRACKETS IS TYPE 304 STAINLESS STEEL, 11 GAUGE (.1196").
 2. 3/8" Ø PINCH BOLT AND NUTS IS TYPE 18-8 STAINLESS STEEL.
 3. WIDE RANGE OF SIZES FOR SDR35, SCH40, C100-C900 STOCKED FOR 4"-30" OTHER SIZES AVAILABLE.



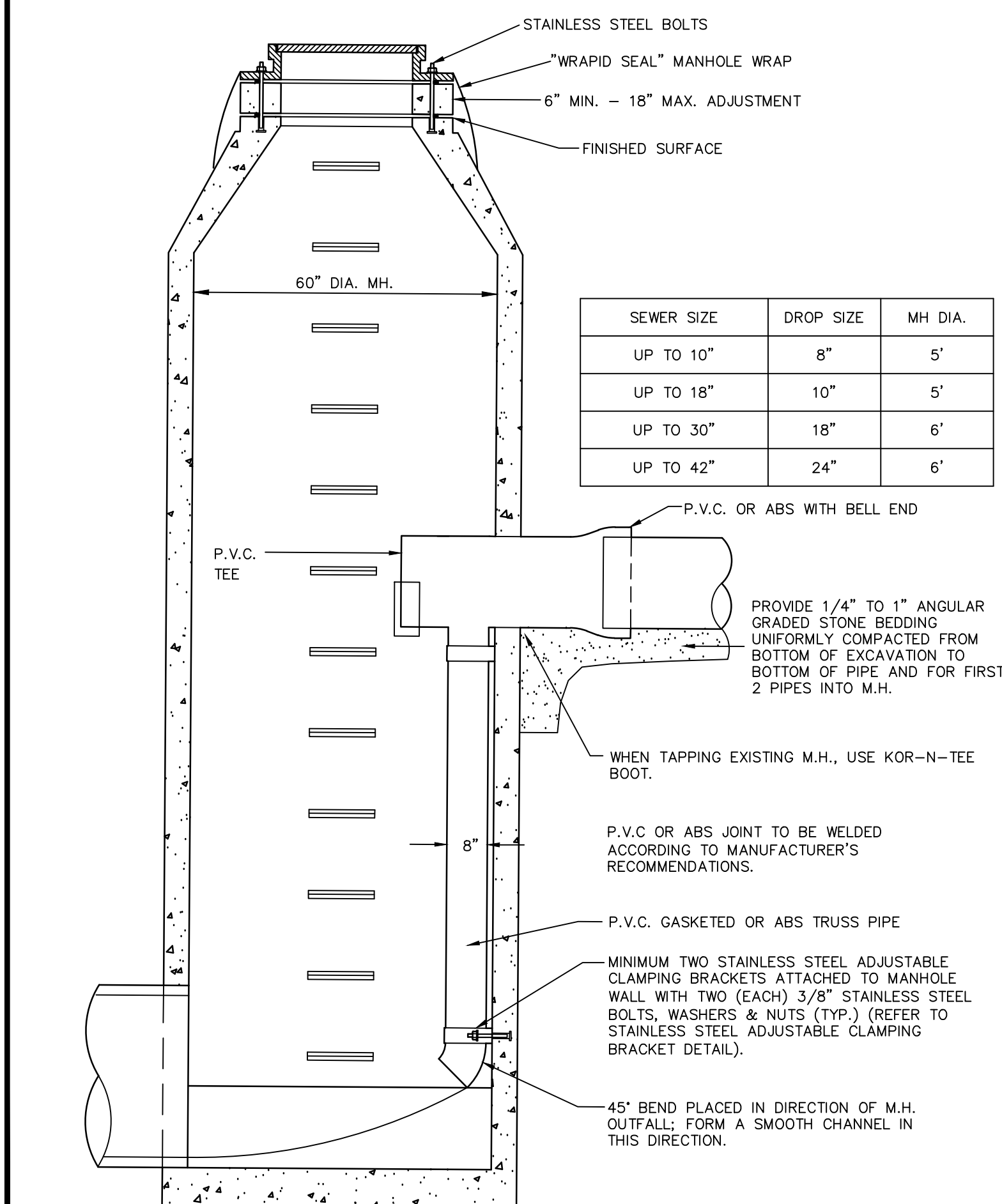
- NOTES:
1. IF UNDER INFLUENCE OF PAVEMENT, COMPACT TO 95% IN 9 INCH LAYERS.
 2. IF UNDER GREENBELT, COMPACT TO 90% IN 9 INCH LAYERS.

BEDDING DETAILS
 NOT TO SCALE

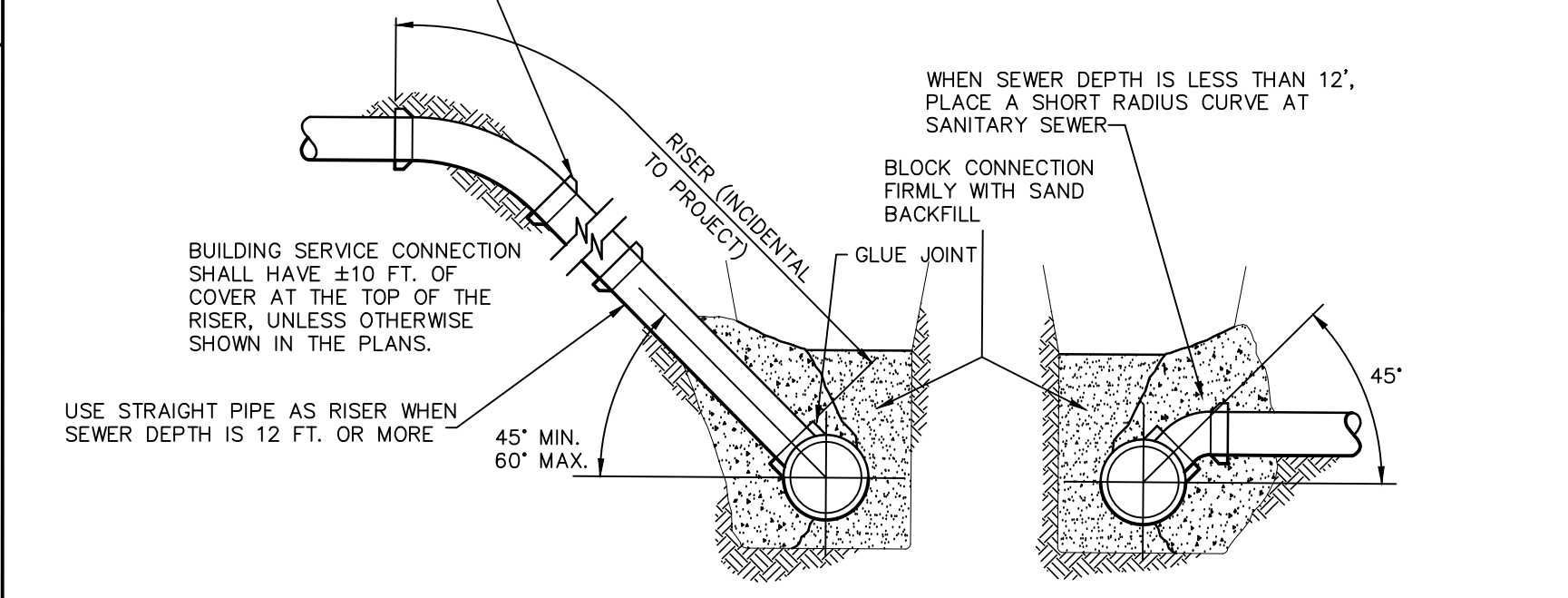
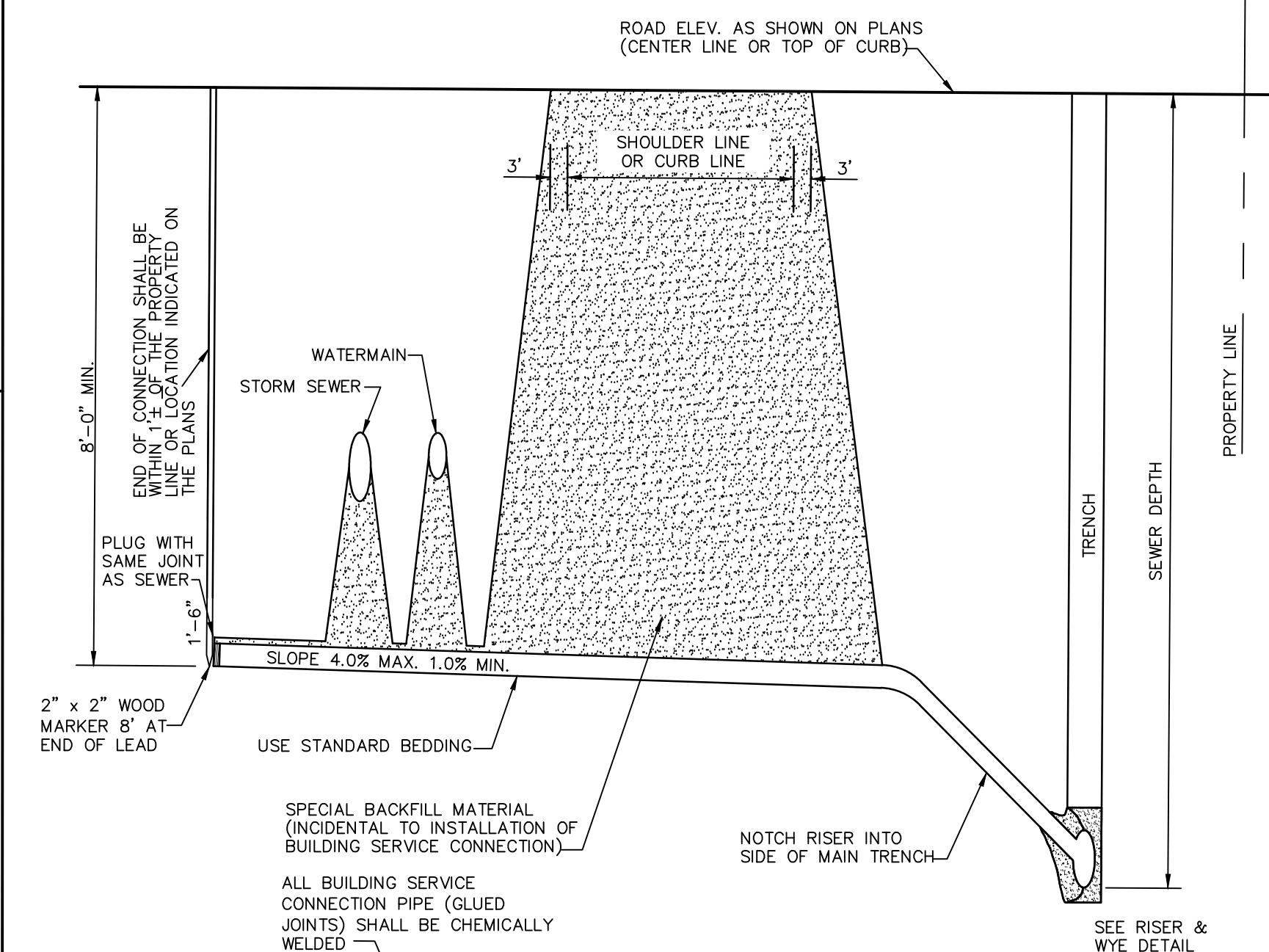


SANITARY MANHOLE
 (FOR 27" AND LARGER PIPE)
 NOT TO SCALE

SEWER SIZE	DROP SIZE	MH DIA.
UP TO 10"	8"	5'
UP TO 18"	10"	5'
UP TO 30"	18"	6'
UP TO 42"	24"	6'



INTERIOR DROP ASSEMBLY
 NOT TO SCALE



SANITARY BUILDING SERVICE CONNECTION
 NOT TO SCALE